

**BEST OF
CLASS**



Jewell's 1800 Series Digital Panel Meters offer LCD large digit .98" (24.9mm) 3 ½ digit displays and LED .8" (20.3mm) 3 ½ digit displays in orange, green or red for easy and precise viewing from all distances.

1800 Series Digital Panel Meter Specifications

Performance

Accuracy	± (0.05% FS +1 counts)
Conversion Rate	3 per second
Normal Mode Rejection	>30 db @ 60 Hz
Common Mode Range	±1V DC
Common Mode Rej.	>86 dB
Zero Adjustment	Automatic
Warmup	10 Minutes Typical
Temperature Coeff.	±100 ppm per °C Typical
Mounting	Snap-in panel mount
Connection	4 screw terminal (4-20mA) 13 pin male connection (voltage) 13 pin connector/wiring harness (included)

Inputs

Ranges	±200.0mV, ±2.000V, ±20.00V DC, 4-20mA
Configuration	Bipolar, Differential
Protection	±350V DC, (±100V DC on 200mV Range)
Impedance	>1 Megohm, (>10 Megohm on 200mV Range)

Environment

Operating Range	-10 to 50°C
Storage Range	-40 to 75°C

Power Supply

+5VDC	180mA LED, 3mA LCD
Loop Power	Powered by mA control loop
24 VDC LCD Meters	4-20mA input, w/ or w/o backlighting

Display

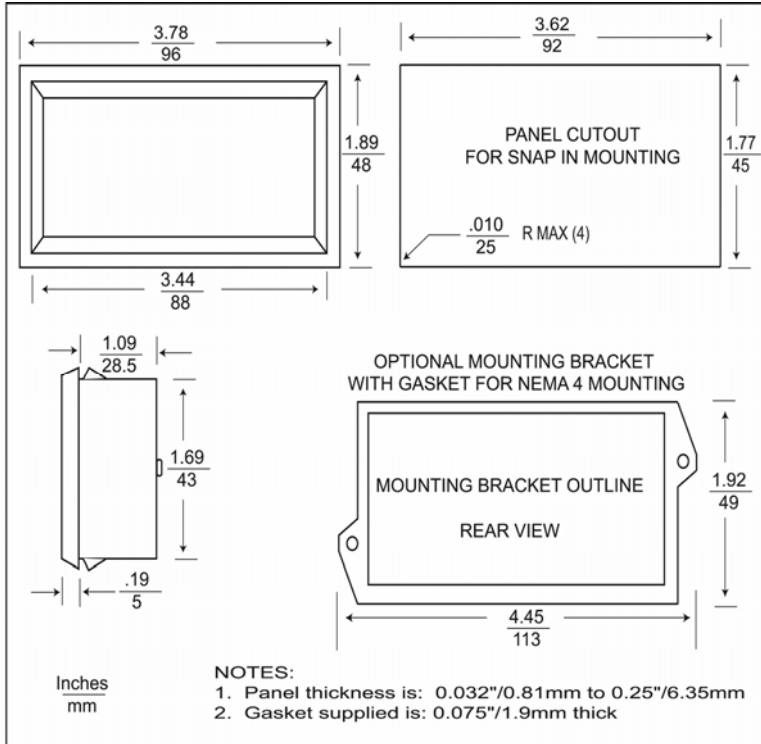
Polarity	Automatic, "--" displayed
Decimal Points	3 Position, user selectable
Overload	Three lower order digits blank for inputs >1999 & < -1999
Hold	Display hold function is standard
Annunciators	PSI, PSI, °F, °C, % (user energized)

Features

- **LCD**
 - Decimal point user selectable
 - Eng. units user selectable
 - Snap-in panel mounting
 - Large .98" digits for easy viewing
- **LED**
 - Decimal point user selectable
 - Snap-in panel mounting
 - Large .8" digits for easy viewing
- **All Models**
 - Gasket and clamp provided for optional NEMA applications

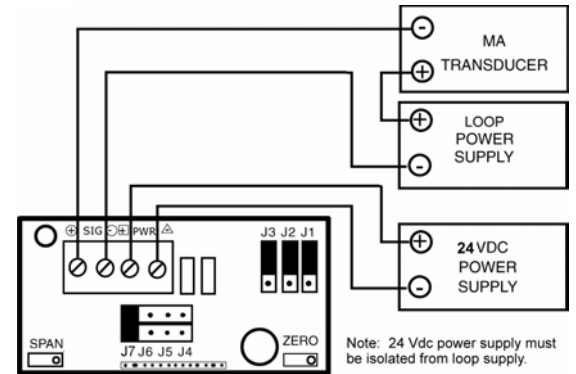
1800 Series Digital Panel Meter

Cutout Diagram

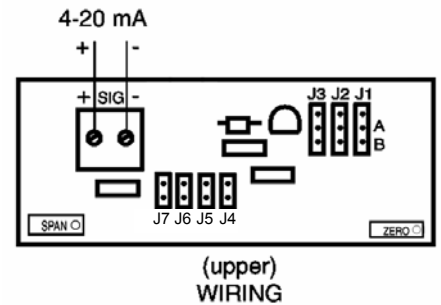


4-20mA Wiring

LED



LCD



Ordering Information:

Complete part number by filling in the four boxes

180	<input type="checkbox"/>	<input type="checkbox"/>	<input type="checkbox"/>	<input type="checkbox"/>	1/8 DIN Digital Panel Meter
	<input type="checkbox"/>			Display (1 red LED; 2 green LED; 3 LCD)
	<input type="checkbox"/>			Input (1 voltage; 2 current; 3 °F RTD; 4 °C RTD)
	<input type="checkbox"/>	<input type="checkbox"/>			Input Range:
					<i>Current</i> <i>Voltage</i> <i>Temperature RTD Pt100Ω</i>
	1	1			4-20mA+0-100.0 2V -60 to 400°F or -50 to 200°C
	1	2			200mA 200mV 400 to 752°F or 200 to 400°C
	2	1			2mA -
	2	2			- 20V
	2	3			2A (with shunt)*
	2	4			20A (with shunt)*
	2	X			Specify custom range/scaling
180500					Loop Powered 1/8 DIN DPM, LCD, 4-20mA=0-100.0 (Offset -350 to 350 counts; Span 400 to 2000 counts)
					*Shunt not included

For over 60 years, Jewell Instruments and our predecessor companies have provided high quality panel meter solutions for a wide range of aerospace, industrial and commercial applications. JEWELL and MODUTEC are some of the most trusted brands in the industry. They are known for:

- reliable, high quality, products
- superb applications knowledge
- custom designs for unique requirements
- “extended staff” relationships with customers
- creative engineering expertise

Jewell Instruments

The only panel meter manufacturer that offers a full spectrum of panel meters. Analog, digital. Any size, and shape. Surface mount, window mount, bezel mount. We have decades of broad-based experience resulting in our superior breadth of product — and our ability to meet your custom needs. Jewell Instruments can provide a proven, quick and cost-effective solution to your panel meter needs.

Analog panel meters can be either electrical or electronic. Application areas include:

Electrical

- Field Strength Meters
- Power Generation
- Power Distribution Panel
- Control Panels
- Switchgear Panels
- Power Supplies
- Power Conditioners
- Voltage Regulators
- UPS Systems
- Automatic Transfer Switches
- Generator Paralleling Switchgear

Electronic

- Liquid Level
- Flow
- Pressure Monitors
- Volume Units
- Laboratory Equipment
- Test Equipment
- Broadcast Equipment
- Stereo Equipment
- Medical
- Temperature
- Battery Level
- Speed
- Tension Control
- Kilns
- Marine
- Chart Recorders
- Field Strength

Digital panel meter applications include:

Digital

- Telecommunications
- Welders
- Agricultural
- Water Purification
- Desalinization

Digital Panel Meters

Digital Panel Meters

	Categories							
	BL Series	1000 Series	BGE Series	PMC Series	2000 Series	2100 Series	DW Series	1800 Series
Display								
LCD	•	•	•	•	•	•	•	•
Backlit LCD	•	•	•	•	•	•		
LED						•		•
Mounting								
Surface	•	•					•	
Window	•		•	•			•	
Bezel	•	•	•		•	•	•	•
Connections								
Pins	•	•	•					
Solder Pads	•							
Screw Terminal Connector	•			•	•	•		•
Banana Plugs				•				
Inputs								
DC Volt	•	•	•		•	•	•	•
DC AMP	•	•		•	•	•	•	•
AC Volt	•				•	•	•	
AC AMP	•				•	•	•	
Frequency	•				•	•		
RTD	•				•	•		•
Thermocouple	•				•	•		
DPM Power								
5 Volt DC	•	•	•				•	•
+/- 5 Volt DC	•	•						
9 Volt DC	•	•	•				•	
Loop Powered	•	•		•	•	•	•	
115 VAC	•				•	•	•	
230 VAC	•				•	•	•	
12 or 24 VDC (Isolated)	•				•	•		
10 to 28 VDC (Isolated)	•	•					•	
10 to 30 VDC (Isolated)	•							
Page Number	15	15	15	16	16	16	17	17

DW Series — MODUTEC

The *DW* is the digital version of an analog standard, the power monitor. No separate power supply is needed, and with no additional wiring, there is no additional installation time. The *DW Series* can easily replace an existing analog power monitor.



1800 Series — Jewell

The *1800 Series* is our BIG DIGIT 1/8" DIN digital meter series. The 3.5 digit are .98" high on the LCD choice and .8" high on the LED display. The big digits and easy-to-read red or green displays make the *Series 1800* a must have for a small meter, big results application.

